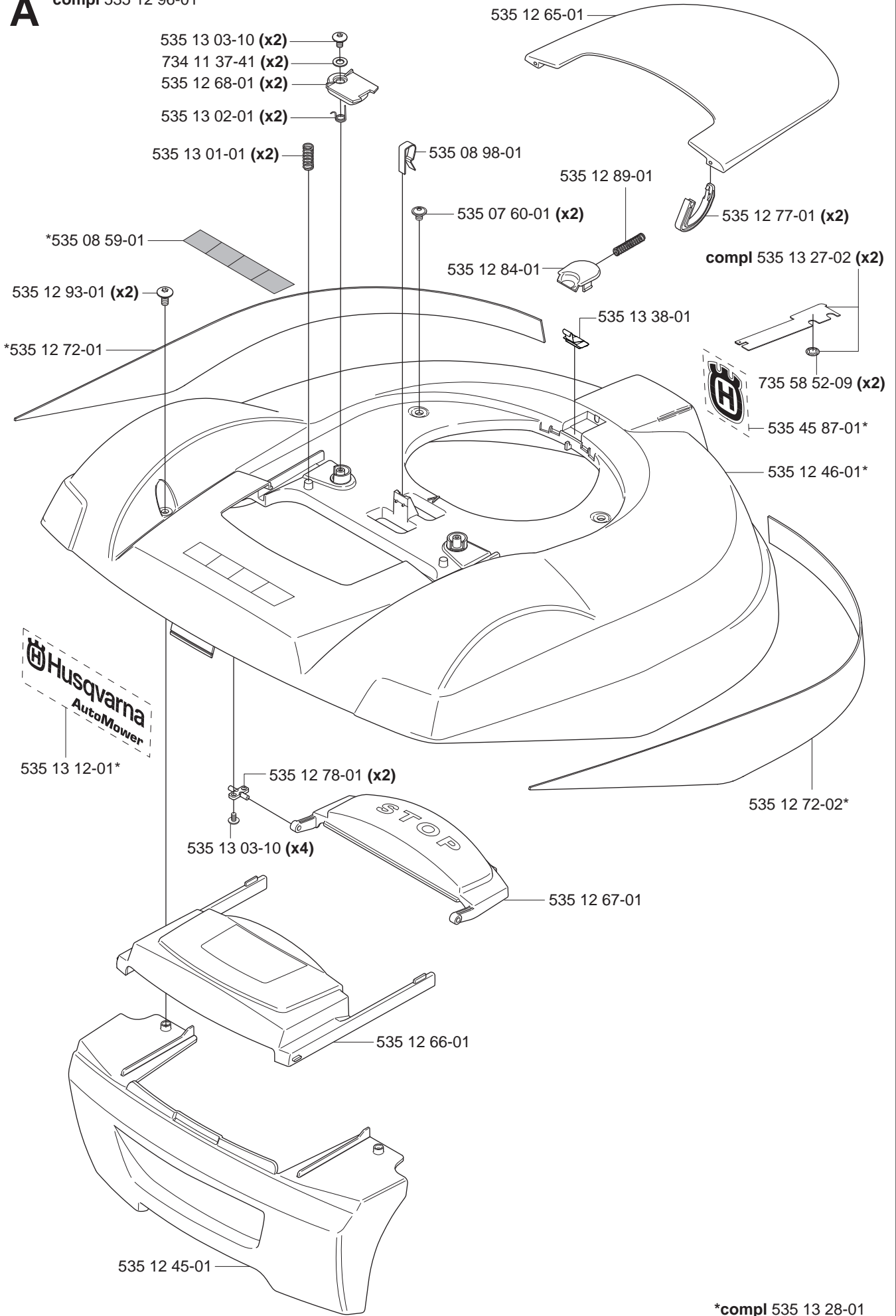
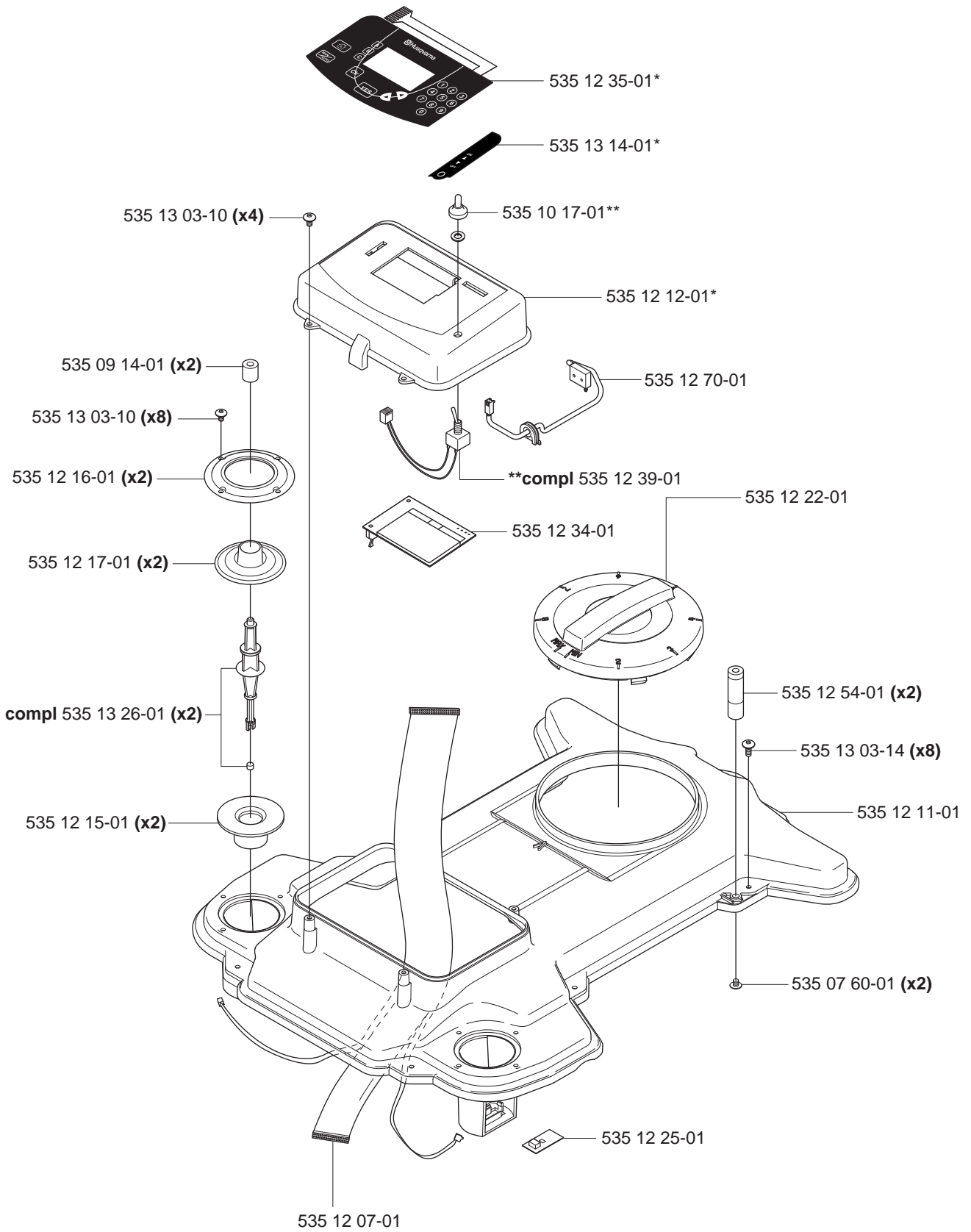


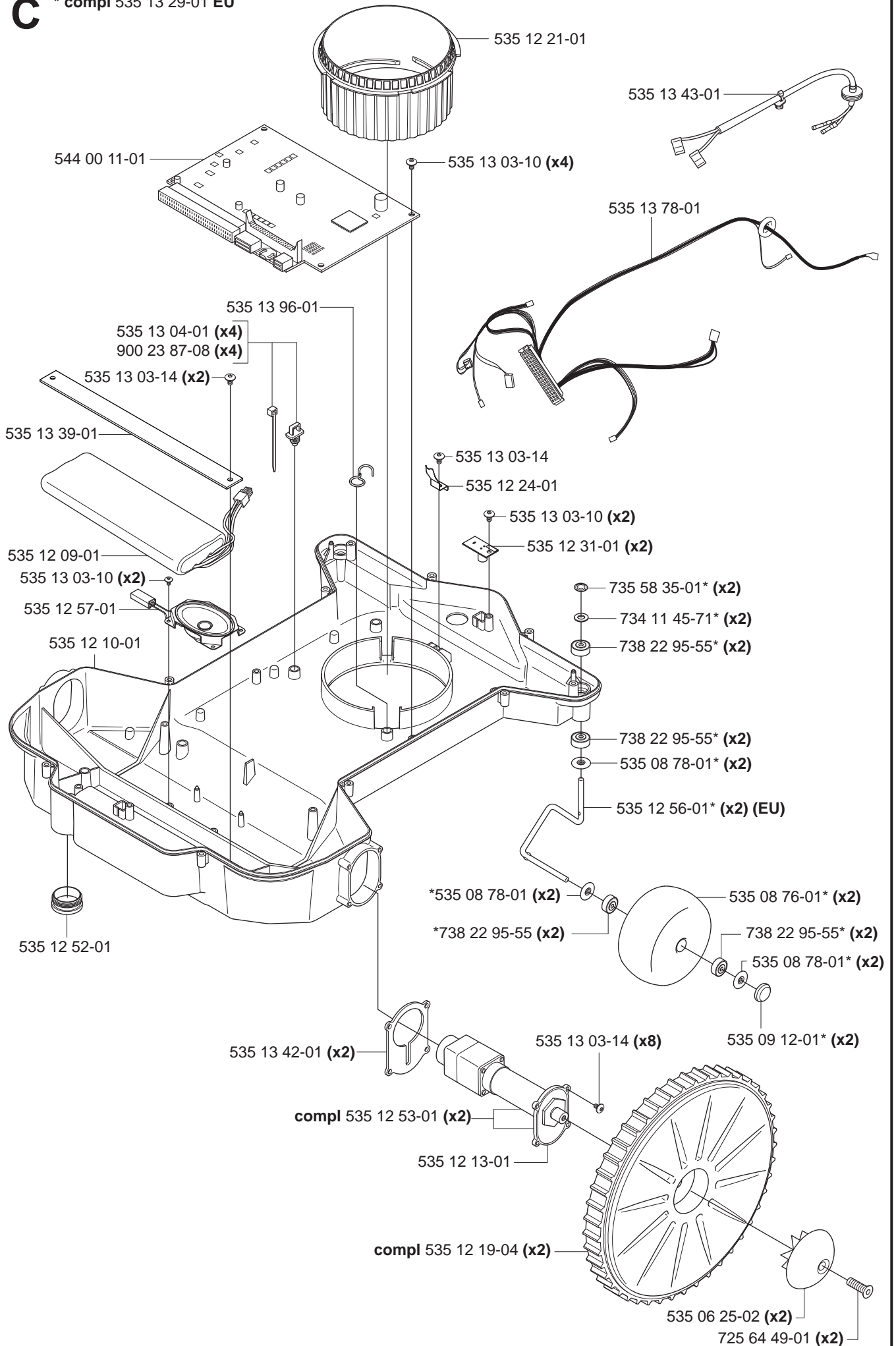
**A** compl 535 12 96-01



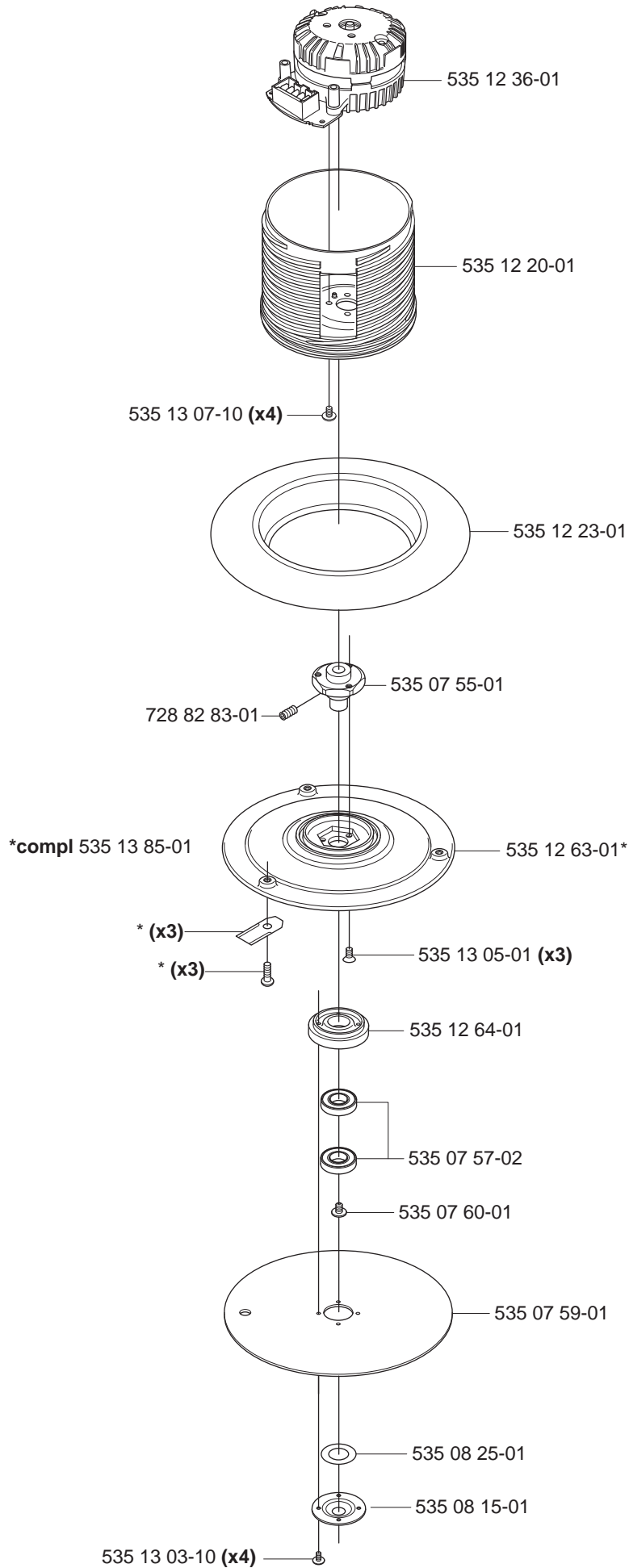
**B**

\* compl 535 13 31-01

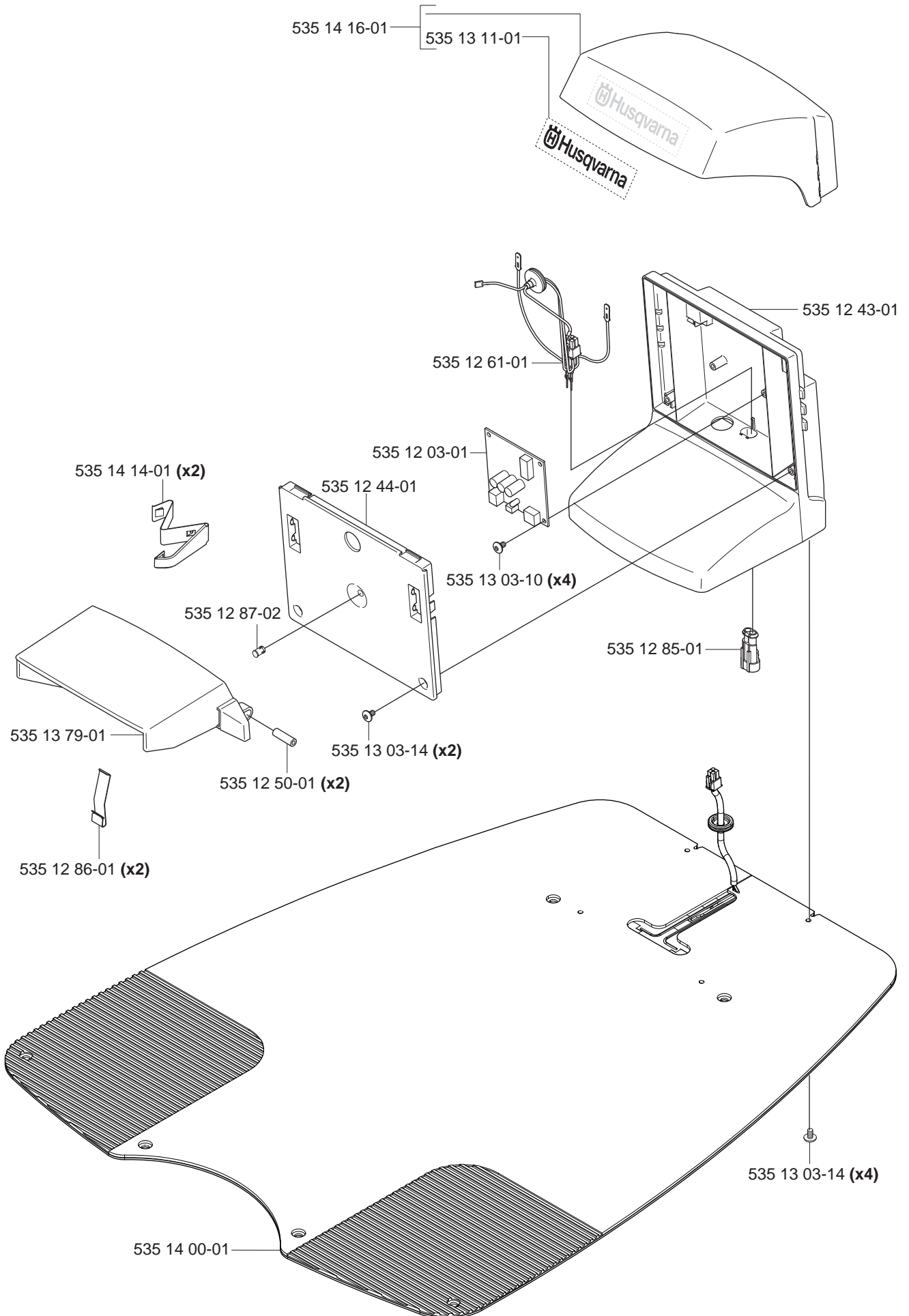


**C****\* compl 535 13 29-01 EU**

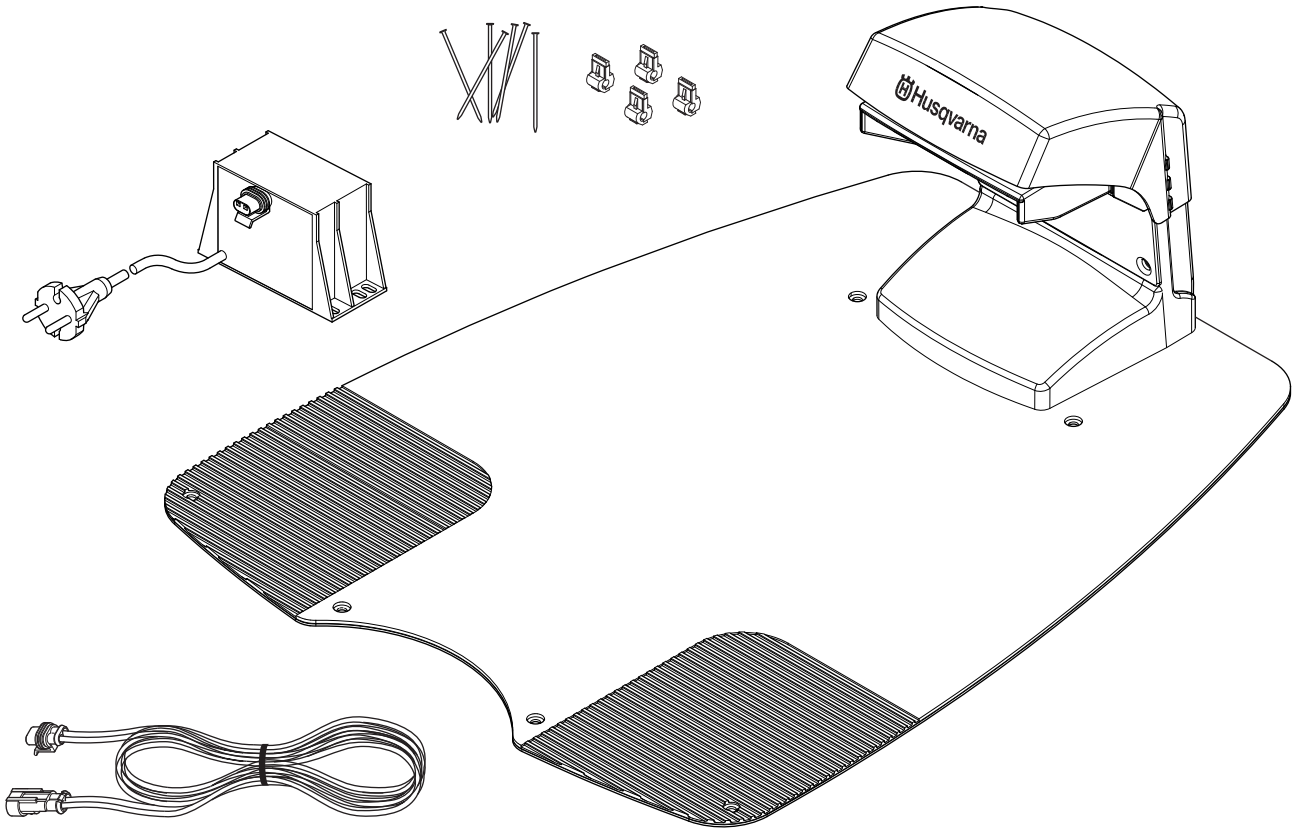
**D**



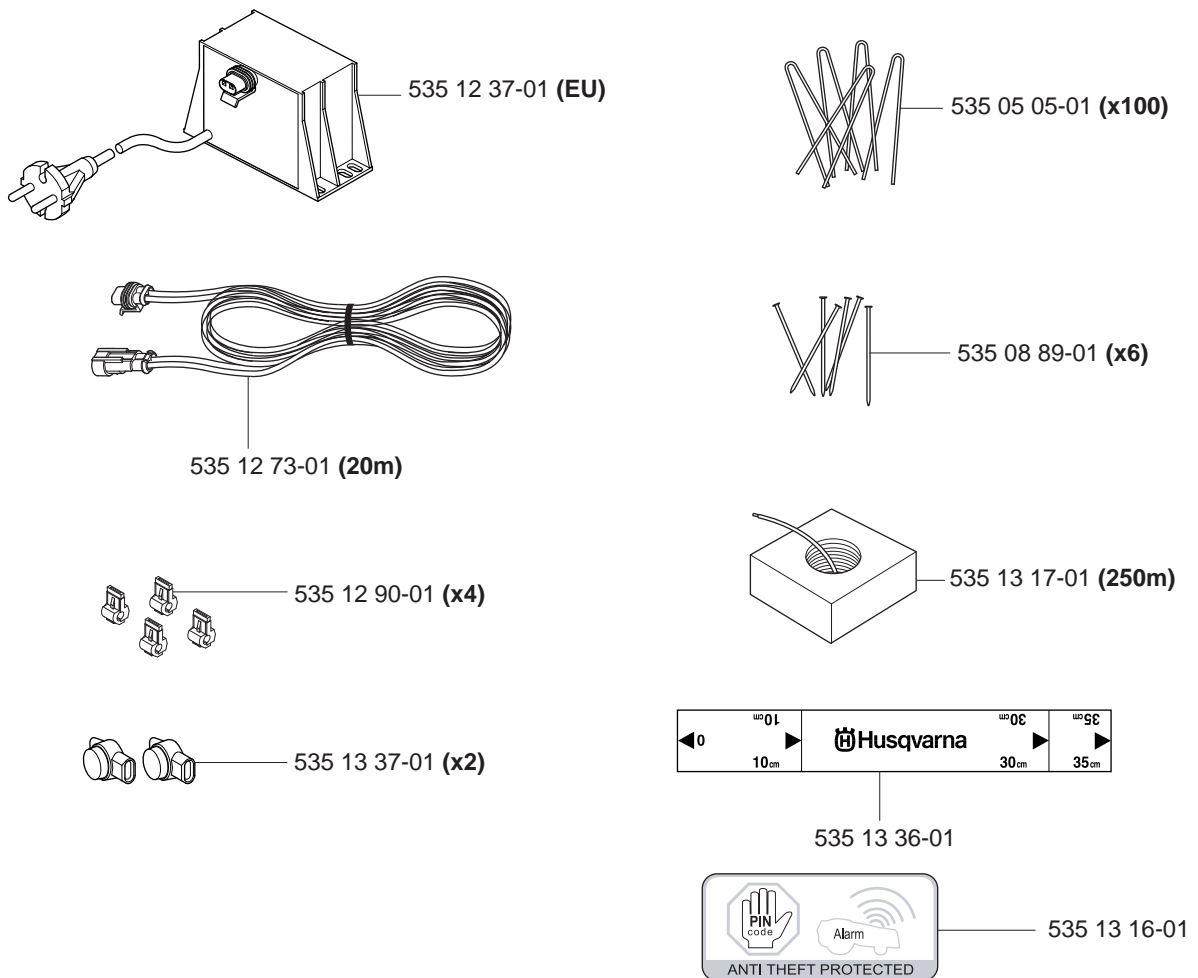
**E** compl 535 12 75-01 (EU)



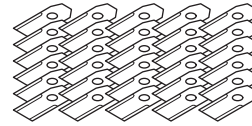
**F** compl 535 13 44-01 (EU)



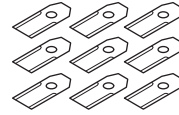
**G**



**H** Accessories  
Zubehöre  
Accessoires  
Acessorios  
Tillbehör



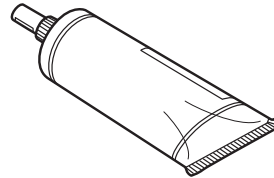
535 13 88-01 (x30)



535 13 87-01 (x9)



505 69 99-90



535 14 12-01